



- Engineered by beer-industry experts for performance and value.
- Digital thermostat for accurate glycol bath temperature.
- Insulated cabinet maintains glycol temperature while minimizing condensation.
- Anti-vibration pads reduce motor noise.



**MMPP4301**



### Feature



# Specifications

Micro Matic reserves the right to change specifications without notice.



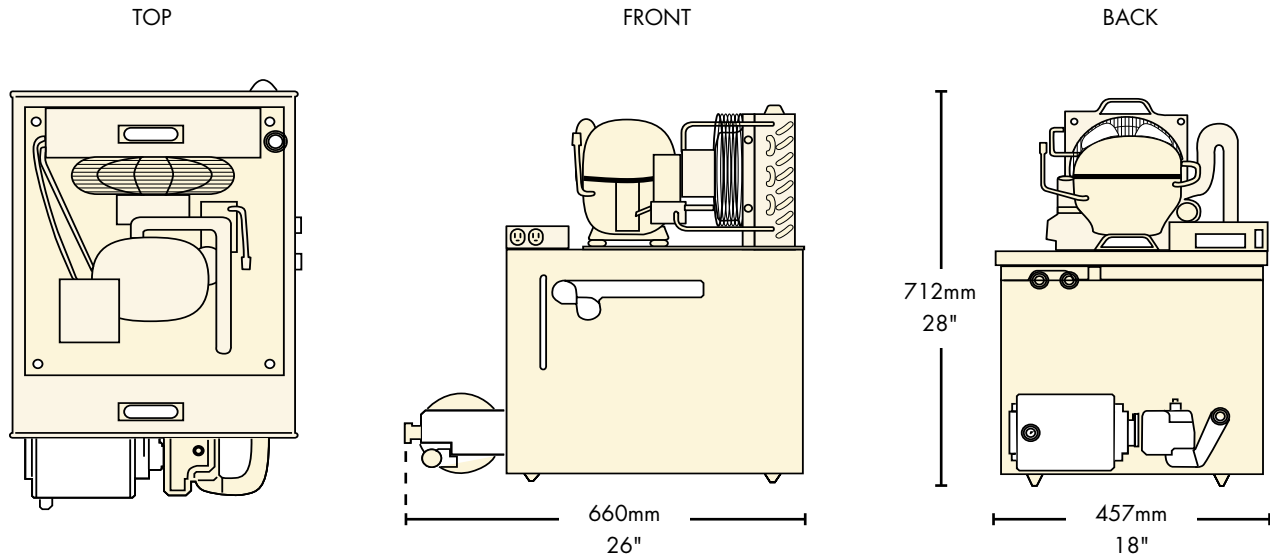
Part No.	Description	Shipping Weight	Box Dimensions
<input type="checkbox"/> <a href="#">MMPP4301</a>	Air Cooled	55 kg 120 lbs.	660mm L x 482mm W x 787mm H 26"L x 19"W x 31"H
<input type="checkbox"/> <a href="#">MMPP4301-WC</a>	Water Cooled	55 kg 120 lbs.	660mm L x 482mm W x 787mm H 26"L x 19"W x 31"H

## Operating Performance

<b>Compressor</b>	1/3 HP
<b>BTU per hour</b>	2,600
<b>Plug Type (NEMA #)</b>	5-15P
<b>Voltage</b>	115
<b>Running</b>	12.9A
<b>Refrigerant</b>	R-134a
<b>Charge</b>	0.34 kg (12 oz)
<b>Bath Capacity</b>	43.53 litre (11.5 Gallons)
<b>Pump Type</b>	Gear
<b>Inlet Barb:</b>	9.52mm (3/8")
<b>Outlet Barb:</b>	9.52mm (3/8")

Water Cooled Model	
<b>Water Inlet &amp; Outlet Fitting</b>	Female 3/8" NPT
<b>Minimum Water Pipe Size</b>	3/8"
<b>Inlet Water Pressure</b>	Less than 80 PSIG
<b>Water Usage</b>	.3 GPM Water is only used when the temperature of the condenser rises high enough to open the cooling inlet valve. This is approximately 40% of the operating time depending on ambient temperature and usage.
<b>Condenser Inlet Water Temperature</b>	75° F
<b>Maximum Outlet Water Temperature</b>	95° F (to minimize water scaling within the condenser).

## Dimensions



Copyright ©2010 Micro Matic USA, Inc. All Rights Reserved. 00081-D0210



[www.micromatic.com](http://www.micromatic.com)

Toll Free: 1-(866) 327-4159

West	Central	Southeast	Northeast
19791 Bahama Street Northridge, CA 91324 Tel. (818) 701-9765 Fax. (818) 701-9844	10726 North Second Street Machesney Park, IL 61115 Tel. (815) 968-7557 Fax. (815) 968-0363	2364 Turbine Court Brooksville, FL 34604 Tel. (352) 799-6331 Fax. (352) 796-2429	4601 Saucon Creek Road Center Valley, PA 18034 Tel. (610) 625-4464 Fax. (610) 625-4466