



- FOB (Foam On Beer) Detector is essential for all long draw beer lines.
- Eliminate foam and wasted beer when a keg is emptied.
- Replace the keg, reset the FOB, and beer is flowing again.
- Value leader, wall mount installation.

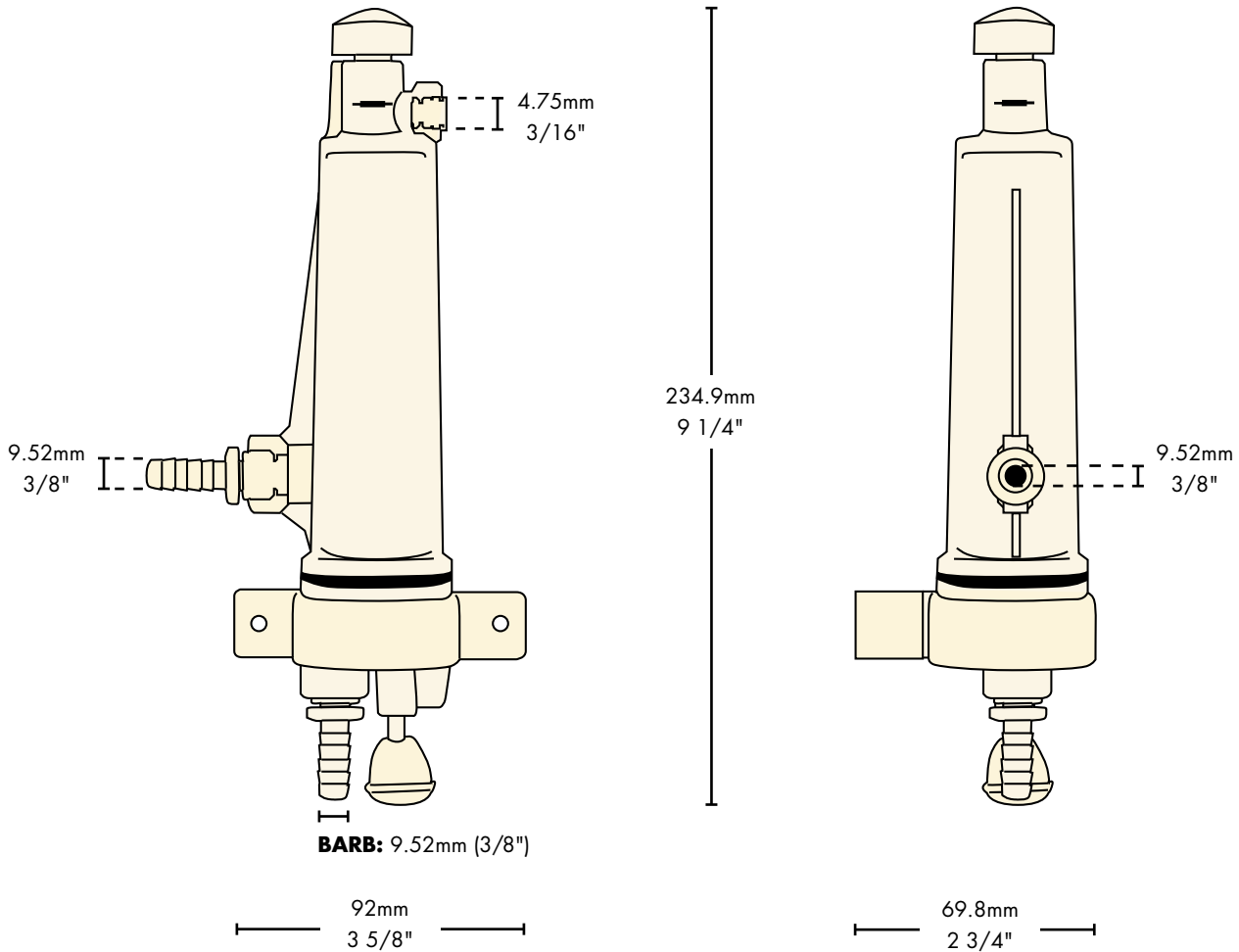


Specifications

Micro Matic reserves the right to change specifications without notice.

Part No.	Description	Shipping Weight	Box Dimensions
<input type="checkbox"/> DFC100	Plastic	.5 kg	356mm L x 203mm W x 102mm H
		1 lbs	14"L x 8"W x 4"H

Dimensions



Copyright ©2007 Micro Matic USA, Inc. All Rights Reserved. 00169D0507 12-07



www.micromatic.com

Toll Free: 1-(866) 327-4159

West	Central	Southeast	Northeast
19791 Bahama Street Northridge, CA 91324 Tel. (818) 701-9765 Fax. (818) 701-9844	10726 North Second Street Machesney Park, IL 61115 Tel. (815) 968-7557 Fax. (815) 968-0363	16121 Flight Path Drive Brooksville, FL 34604 Tel. (352) 799-6331 Fax. (352) 796-2429	4601 Saucon Creek Road Center Valley, PA 18034 Tel. (610) 625-4464 Fax. (610) 625-4466